

22K TYPE

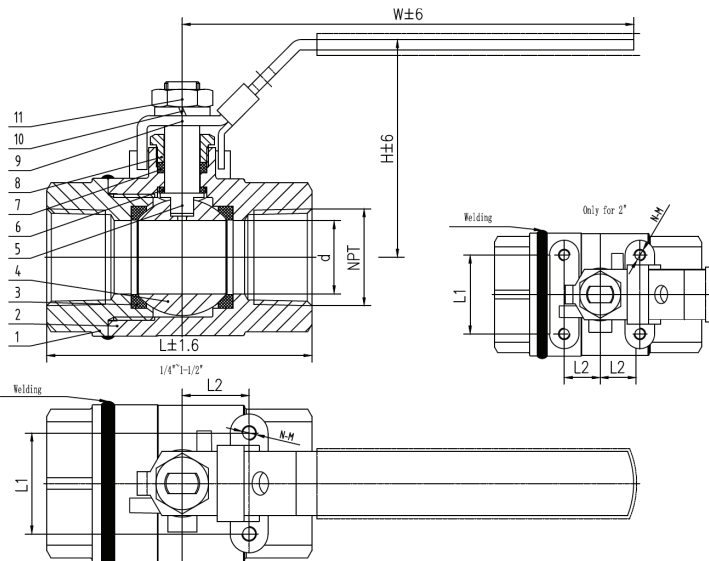
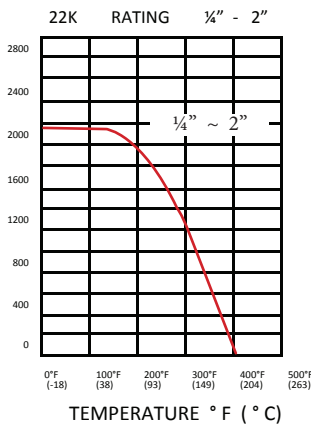


SIZE: 1/4" - 2"
 SCREWED END
 CE APPROVED
 2 PIECE BODY
 THREADED END

HOW TO ORDER

BODY MATERIAL: 22K SIZE: F3T END CONNECTIONS:

PRESSURE - TEMPERATURE



FEATURES:

PIPE THREAD IN ACCORDANCE WITH:

- * ANSI B2.1 (BASIC STD FOR STEEL PIPE THREADS)
- * ANSI B1.20 (NPTF)
- * BS21:1973
- * DIN259/2999
- * ISO228
- FULL PORT
- 1/4 - 2" 2000 WOG
- BLOW-OUT PROOF STEM
- PTFE/RPTFE PACKING & SEATS
- LOCKING DEVICE
- SEAL WELDED CAP
- MEETS MR NACE MR0175/ISO 15156
- * Materials for use in H₂S containing environments in oil and gas production
- FIRE TEST & CERTIFICATE TO API 607
- * Same as AOP Series BN from CAMERON

- OPTION:

- * DRILLING & TAPPED MOUNTING PAD

NOMINAL SIZE	d	L	L1	L2	N - M	H	W	WEIGHT (Kg)	Torque KgF-cm
1/4"	10.5	60.0	30	13.2	12-24 UNC	55.0	100	0.30	46
3/8"	10.5	60.0	30	13.2	12-24 UNC	55.0	100	0.30	46
1/2"	15	75	30	14.0	12-24 UNC	60.0	120	0.50	54
3/4"	19	81	36	22.5	12-24 UNC	60.0	155	0.70	78
1"	25.0	91	36	23.0	12-24 UNC	75.0	155	1.20	106
1-1/4"	32	110	40	23.0	1/4"-20 UNC	80.0	155	1.90	150
1-1/2"	38	120	40	24.8	1/4"-20 UNC	95.0	185	2.80	200
2"	48	140	40	26.5	1/4"-20 UNC	110	185	4.00	280

PARTS	MATERIAL	
	22K	22K-C
1 BODY	ASTM-A351-CF8M	ASTM-A216-WCB
2 CAP	ASTM-A351-CF8M	ASTM-A216-WCB
3 SEATS	15% - R-PTFE	
4 BALL	ASTM-A182 F316	
5 STEM	A276 F316	
6 STEM GASKET	RPTFE	
7 PACKING	GRAPHITE	
8 GLAND	SST	
9 HANDLE	SST	
10 SPRING WASHER	SST	
11 STEM NUT	A2-70	
12 LOCKING DEVICE	ASTM-A351-CF8	
13 SLEEVE	PLASTIC (VINIL GRIP)	