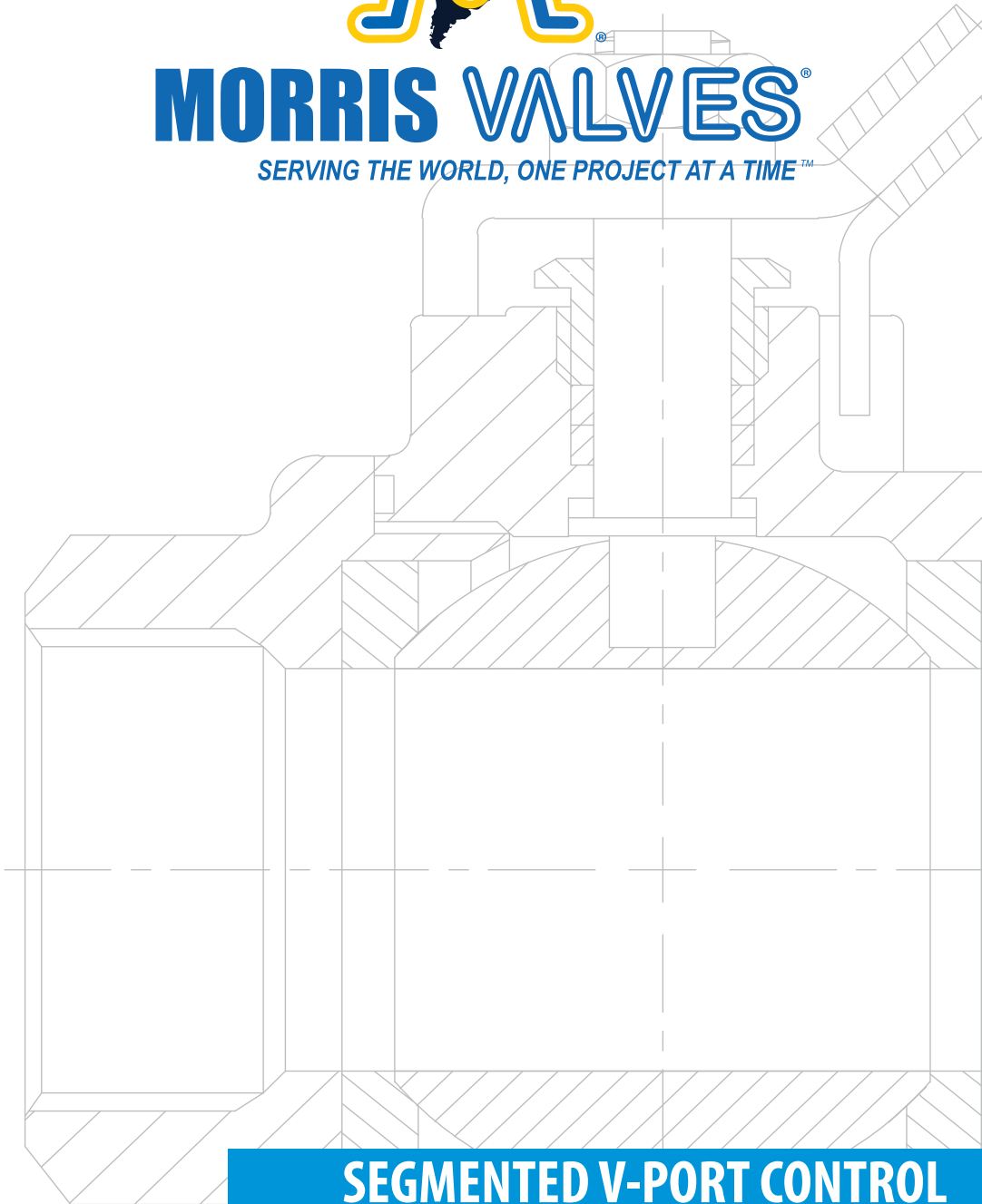




MORRIS VALVES®

SERVING THE WORLD, ONE PROJECT AT A TIME™



**SEGMENTED V-PORT CONTROL
VALVE SBV TYPE**

www.morrisvalve.com



In 1984, our journey into the business of repairing valves and industrial instrumentation began. That journey has led us to represent and service well known American brands and companies. In early 2000, our experience and growing passion for the valve industry encouraged our decision to launch our own brand, Morris Valves. Starting with the highly requested Ball Valves, the brand has been based on the principal of quality and performance to match our customers' needs. Our high standards of production later lead us to incorporate other models such as Gate Valve and Check Valves to our production. These additions were carefully selected to match our Standard of Quality. Our success has been driven by our belief of "Tradition with Quality" in everything we do. Our products are developed with that belief which drives our growth and guides the service we provide to our customers.

Our vision is to be amongst the leading corporations in the supply of goods and services related to valves, their components and industrial equipment in general. We want to conquer new markets in conformity with international standards and remain committed to customer satisfaction, the welfare of our company and the sustainability of our planet.

Mission

Our mission is to use our highly trained, highly focused, and extremely motivated staff to work with manufacturers who value quality and have the vision for new development and product applications to ensure the timely provision of goods and services related to valves, their components and industrial equipment in general. We maintain a rigorous standard of customer satisfaction, which will provide for the welfare of the company, the welfare of the countries we serve, and most importantly the sustainability of the planet.

Contacts

Address: 6803 Theall Rd Building B, Houston, Tx 77066

Telephone: +1 (832) 666-5576

Cel: +1 (832) 983-0744

Email: sales@morrisvalve.com



Vision

"Serving the world, one project at a time"

United States of America

United States Patent and Trademark Office



Reg. No. 4,840,307

Registered Oct. 27, 2015

Int. Cl.: 6

TRADEMARK

PRINCIPAL REGISTER

MORRIS VALVES, INC. (FLORIDA CORPORATION)
5590 N.W. 84TH AVE.
MIAMI, FL 33166

FOR: METAL PIPES AND METAL FITTINGS THEREFOR; METAL TUBES AND METAL FITTINGS THEREFOR, IN CLASS 6 (U.S. CLS. 2, 12, 13, 14, 23, 25 AND 50).

FIRST USE 2-11-2015; IN COMMERCE 2-11-2015.

OWNER OF U.S. REG. NO. 4,241,186.

THE COLOR(S) YELLOW, WHITE, AND BLUE IS/ARE CLAIMED AS A FEATURE OF THE MARK.

THE MARK CONSISTS OF A STYLIZED WHITE LETTER "V" WITH A BLUE OUTLINE INSIDE OF A STYLIZED LETTER "M" IN BLUE OUTLINED WITH YELLOW. THE BACKGROUND OF THE MARK IS WHITE.

SER. NO. 86-543,795, FILED 2-24-2015.

MARCIE MILONE, EXAMINING ATTORNEY



Michelle K. Lee

Director of the United States
Patent and Trademark Office

SBV TYPE

SPECIFICATIONS:

- Design: ASME B16.34
- Size: 1-1/2" - 20", FULL PORT/REDUCED TRIM OPTION
- Pressure Rating: Class (150# - 300#)
- Operating Pressure: (-29 - 260) °C (-20 - 500) °F
- Face to Face: ISA S75.04/ASME B16.10.
- End Connection:
 - * FLANGED/WAFER
 - * ANSI/ASME B16.5
- Test: Hydrostatic Tested 100% to API 598 / ASME B16.104.
- MTR EN 10254-3.1
- Origin Certificate

FEATURES:

- Full Port/Reduced Port, Trim Option.
- Seats: Metal Seats / Soft Seats full ported Rings for easy Maintenance. Available a full range of Trim Materials to match any service.
- Blow out proof stem.
- Applications:
 - * Steam
 - * Asphalt
 - * Liquids
 - * Slurries
 - * Pulp Paper & fibers.
- Can be used as Manual, ON-OFF and Control Regulating.
- Economical, Practical and Precise control on small flow.
- An austenitic stainless-steel nameplate securely affixed and so located that is easily accessible for the Identification.
- Inspection Certificate EN 10204 - 3.1, traceable to the Unique Valve Serial Number is provided, containing:
 - * Physical & Chemical Material Test Report for Bonnet, Body and End Connection.
 - NDT or NDE Shall be performed if specified by the Customer on the RFQ.



SIZE: 1-1/2" - 20"



HOW TO ORDER

SBV - - - -

Materials

BODY & BONNET

DISC

SEAT

GASKET



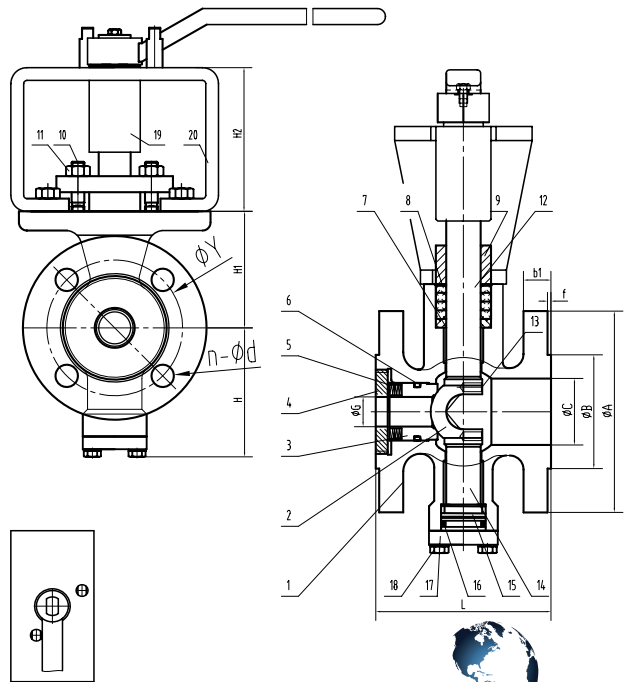
Main Dimensions(mm)												
NPS (in)	L*	A	B	C	G	b1	f	H	H1	H2	ØY	N - Ød
Class 150 Lb												
1	102	110	51	38	20	14.5	2	81	73	105	79.4	4 - 16
1-1/2	114	125	73	50	32	14.5	2	90	80	105	98.4	4 - 16
2	124	150	93	65	40	16.3	2	93	90	105	120.7	4 - 19
2-1/2	145	180	105	77	55	18	2	108	105	105	139.7	4 - 19
3	165	190	127	93	65	19.5	2	123	128	105	152.4	4-19
4	194	230	158	115	80	24.3	2	138	130	105	190.5	8 - 19
5	194	255	186	134	100	24.3	2	148	145	105	215.9	8-Ø22
6*	229	280	216	164	128	26	2	170	170	140	241.3	8-Ø22
8	243	340	270	206	155	29	2	200	200	160	298.5	8 - 22
10	297	405	324	260	200	30.6	2	240	237	180	362	12 - 25.4
12	338	485	381	316	250	32.2	2	286	282	180	431.8	12 - 25.4
14	400	535	413	372	300	35.4	2	330	337	230	476.3	12 - 28.6
16	400	595	470	420	336	37	2	367	372	260	539.8	16 - 28.6
18	520	635	534	470	380	40.1	2	422	432	280	577.9	16 - 31.8
20	600	700	585	516	430	44	2	490	498	300	635	20 - 31.8

*L=ISA S75.04

*6= L=264mm, Acc. ASME: B16.10;

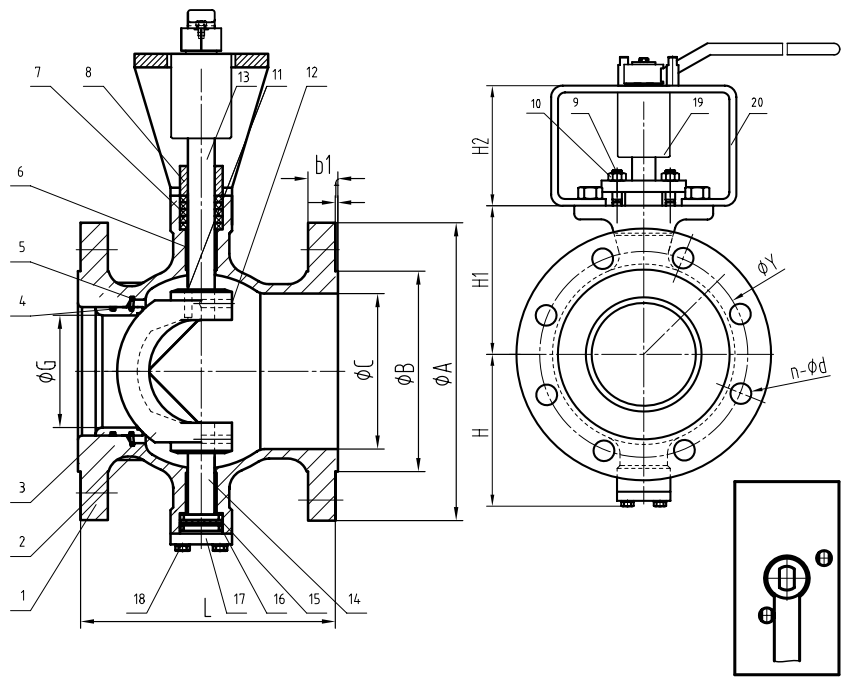
Main Dimensions(mm)												
NPS (in)	L*	A	B	C	G	b1	f	H	H1	H2	ØY	N - Ød
Class 300 Lb												
1	102	125	51	40	20	18	2	88	86	105	88.9	4 - 19
1-1/2	114	155	73	56	32	21.1	2	95	93	105	114.3	4 - 22
2	124	165	93	65	40	23	2	98	98	105	127	8 - 19
2-1/2	145	190	105	81	55	26	2	130	125	105	149.2	8 - 22.2
3	165	210	127	95	65	29	2	130	130	125	168.3	8 - 22.2
4	194	255	158	115	80	29	2	142	142	125	200	8 - 22.2
5	194	280	186	134	100	35.4	2	170	180	200	235	8 - 22.2
6*	229	320	216	170	125	37	2	215	215	200	269.9	8 - 22.2
8	243	380	270	210	155	41.7	2	228	228	240	330.2	12 - 25.4
10	297	445	324	265	200	48.1	2	265	268	300	387.3	12 - 28.6
12	338	520	381	320	240	51.3	2	310	310	360	450.8	16 - 31.8
14	400	585	412.8	372	300	54.4	2	360	360	450	514.4	20 - 31.8
16	480	650	470	420	336	57.6	2	430	430	500	571.5	20 - 35
20	620	775	584.2	525	430	64	2	620	620	600	685.8	24 - 35

MAIN PARTS & MATERIALS SIZE: 1 - 2-1/2", CLASS 150 Lb		
ITEM	PARTS	MATERIAL
METAL SEATED / SOFT SEATED		
1	BODY	A216 WCB/A351 CF8/CF8M
2	BALL SEGMENT	CF8M+Cr, 317 SS
3	SEAT	A276 304+STL / 316+STL
4	SEAL SEAT COVER	A276 316
5	SPRING	SST 316
6	O-RING	VITON
7	SELF LUBRICATING BEARING	A276 316
8	V-PACKING	PTFE
9	PACKING GLAND	A351 CF8M
10	STUD	A193 B8M
11	NUT	A194 8M
12	PIN	A276 316
13	UPPER STEM	A276 316
14	LOWER STEM	A276 316
15	GASKET	PTFE
16	O-RING	VITON
17	BACK GLAND	A351 CF8M
18	BOLT	A193 B8M
19	CONNECTING SHAFT	WCB / CF8 / CF8M
20	YOKE	ASTM A36



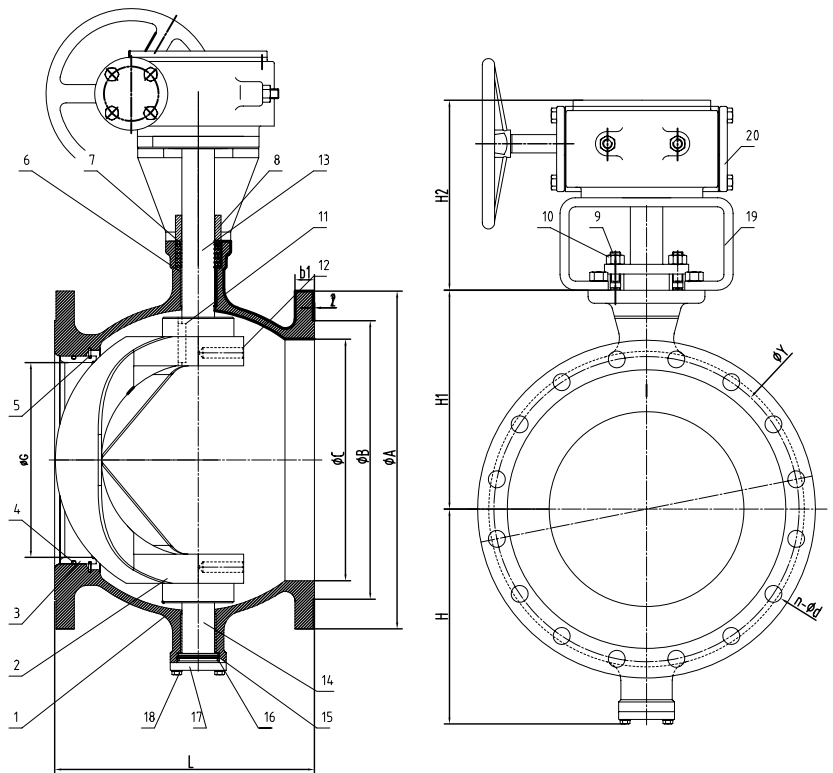
MAIN PARTS & MATERIALS
SIZE: 3 - 5", CLASS 150 Lb

ITEM	PARTS	MATERIAL
METAL SEATED / SOFT SEATED		
1	BODY	A216 WCB/A351 CF8/CF8M
2	BALL SEGMENT	CF8M+Cr, 317 SS
3	SEAT	A276 304+STL / 316+STL
4	O-RING	VITON
5	SPRING	SST 316
6	SELF LUBRICATING BEARING	A276 316
7	V-PACKING	PTFE
8	PACKING GLAND	A351 CF8M
9	STUD	A193 B8M
10	NUT	A194 8M
11	KEY	A276 316
12	PIN	A276 316
13	UPPER STEM	A276 316
14	LOWER STEM	A276 316
15	GASKET	PTFE
16	O-RING	VITON
17	BACK GLAND	A351 CF8M
18	BOLT	A193 B8M
19	CONNECTING SHAFT	WCB / CF8 / CF8M
20	YOKE	ASTM A36



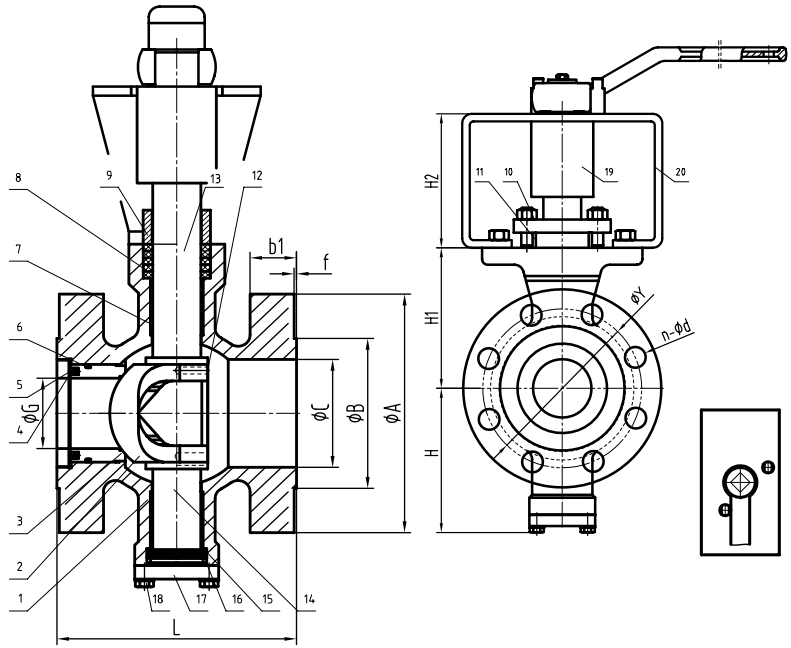
MAIN PARTS & MATERIALS
SIZE: 6 - 20", CLASS 150 Lb

ITEM	PARTS	MATERIAL
METAL SEATED / SOFT SEATED		
1	BODY	A216 WCB/A351 CF8/CF8M
2	BALL SEGMENT	CF8M+Cr, 317 SS
3	SEAT	A276 304+STL / 316+STL
4	O-RING	VITON
5	SPRING	SST 316
6	SELF LUBRICATING BEARING	A276 316
7	V-PACKING	PTFE
8	PACKING GLAND	A351 CF8M
9	STUD	A193 B8M
10	NUT	A194 8M
11	KEY	A276 316
12	PIN	A276 316
13	UPPER STEM	A276 316
14	LOWER STEM	A276 316
15	GASKET	PTFE
16	O-RING	VITON
17	BACK GLAND	A351 CF8M
18	BOLT	A193 B8M
19	YOKE	ASTM A36
20	GEAR BOX	



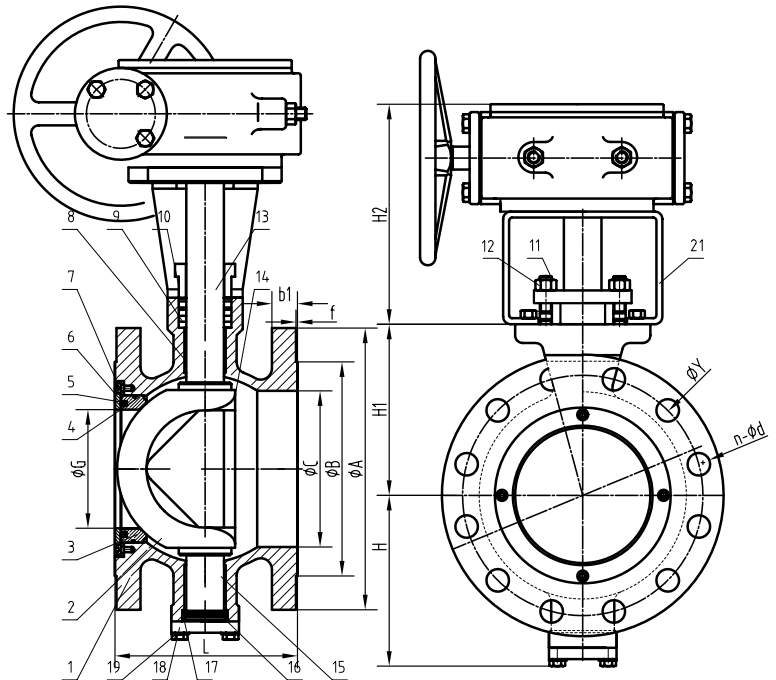
MAIN PARTS & MATERIALS
SIZE: 1- 4", CLASS 300 Lb

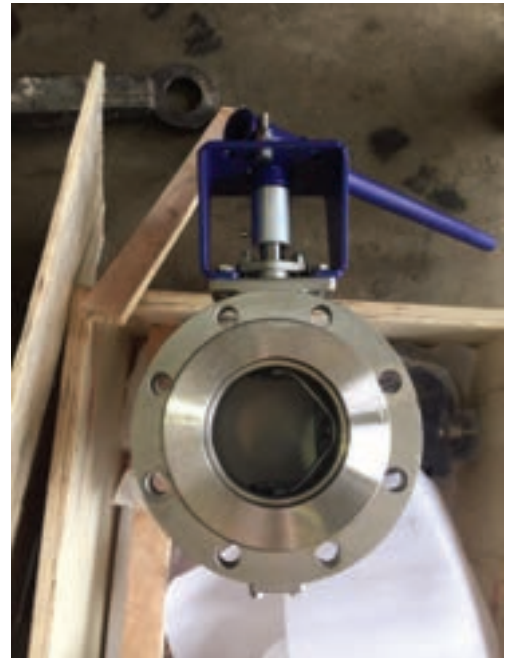
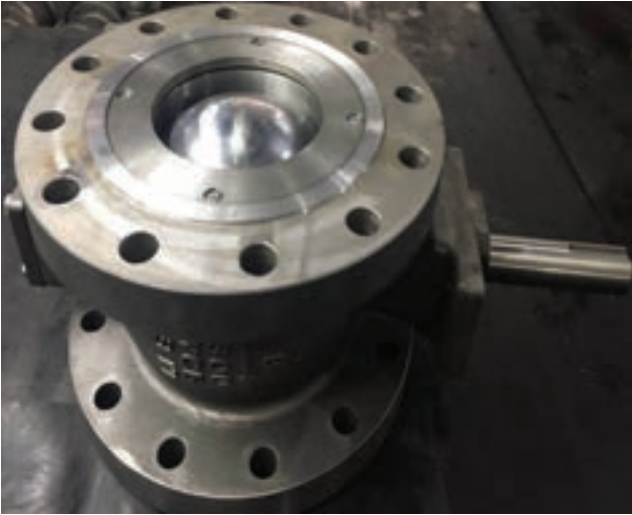
ITEM	PARTS	MATERIAL
METAL SEATED / SOFT SEATED		
1	BODY	A216 WCB/A351 CF8/CF8M
2	BALL SEGMENT	CF8M+Cr, 317 SS
3	SEAT	A276 304+STL / 316+STL
4	SEAL SEAT COVER	A276 316
5	SPRING	SST 316
6	O-RING	VITON
7	SELF LUBRICATING BEARING	A276 316
8	V-PACKING	PTFE
9	PACKING GLAND	A351 CF8M
10	STUD	A193 B8M
11	NUT	A194 8M
12	PIN	A276 316
13	UPPER STEM	A276 316
14	LOWER STEM	A276 316
15	GASKET	PTFE
16	O-RING	VITON
17	BACK GLAND	A351 CF8M
18	BOLT	A193 B8M
19	CONNECTING SHAFT	WCB / CF8 / CF8M
20	YOKE	ASTM A36



MAIN PARTS & MATERIALS
SIZE: 6 - 20", CLASS 150 Lb

ITEM	PARTS	MATERIAL
METAL SEATED / SOFT SEATED		
1	BODY	A216 WCB/A351 CF8/CF8M
2	BALL SEGMENT	CF8M+Cr, 317 SS
3	SEAT	A276 304+STL / 316+STL
4	O-RING	VITON
5	SPRING	A276 316
6	SEAT RETAINER	A276 316
7	SCREW	ASTM A193 B8M
8	SELF-LUBRICATING BEARING	A276 316
9	V TYPE PACKING	GRAPHITE
10	PACKING GLAND	A351 CF8M
11	STUD	ASTM A193 B8M
12	NUT	ASTM A194 8M
13	UPPER STEM	A276 316
14	PIN	A276 316
15	LOWER STEM	A276 316
16	GASKET	PTFE
17	O-RING	VITON
18	BACK GLAND	A351 CF8M
19	BOLT	A193 B8M
20	YOKE	ASTM A36
21	GEAR BOX	







A Tradition of Quality

*Our passion is to develop
solutions for difficult situations in
Industrial Applications, no matter
how large or small the project.*

"Serving the world, one project at a time"

